



Selling Table

Fabric Name	Composition	Fabric Roll Width	Openness Factor
Basden Screen Style 2001	Polyester 70%/ PVC 30%	98"	5%
Basden Screen Style 2002	Polyester 70%/ PVC 30%	98"	5%
Basden Screen Style 2005	Polyester 70%/ PVC 30%	98"	5%
Basden Screen Style 2101	Polyester 70%/ PVC 30%	98"	5%
Basden Screen Style 2211	Polyester 70%/ PVC 30%	98"	5%
Basden Screen Style 2212	Polyester 70%/ PVC 30%	98"	5%
Basden Screen Style 2213	Polyester 70%/ PVC 30%	98"	5%
Basden Screen Style 4202	Polyester 75%/ PVC 25%	98"	8%
Basden Screen Style 4205	Polyester 75%/ PVC 25%	98"	8%
Basden Screen Style 4212	Polyester 75%/ PVC 25%	98"	8%
Basden Screen Style 4213	Polyester 75%/ PVC 25%	98"	8%

Panel Track Pricing

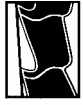
		Width ("Up To" In Inches)											
		24	36	48	60	72	84	96	108	120	132	144	156
Height ("Up To" In Inches)	36	189	239	292	344	442	511	539	687	1208	1315	1429	1950
	48	209	266	324	382	490	569	599	951	1212	1326	1438	1961
	60	226	292	359	423	535	629	734	955	1219	1333	1444	1967
	72	245	318	391	462	584	685	794	959	1223	1339	1451	1974
	84	264	346	425	502	631	745	852	1002	1549	1701	1839	2424
	96	322	414	505	595	685	811	919	1429	1564	1721	1862	2450
	108	344	440	539	638	732	869	979	1433	1568	1729	1871	2461
	120	382	477	573	678	783	929	1037	1440	1575	1740	1884	2474
	132	447	556	663	781	897	1060	1097	1704	1867	2062	2233	2871
	144	466	582	695	820	944	1120	1157	1708	1880	2073	2242	2881
156	537	678	820	972	1124	1337	1390	1729	1903	2332	2525	2924	

Valance Options

		Width ("Up To" In Inches)											
Additional Options:		24	36	48	60	72	84	96	108	120	132	144	156
6" Valance with 5 1/2" Board		172	206	241	275	309	344	378	412	447	481	515	550

Roller Shade Retail Surcharge Options:	
Hem Pocket	22 Per Panel

External Round Hembar no charge



Selling Table

Fabric Name	Composition	Fabric Roll Width	Openness Factor
Basden Screen Style 2601	Polyester 70%/ PVC 30%	98"	3%
Basden Screen Style 2602	Polyester 70%/ PVC 30%	98"	3%
Basden Screen Style 2605	Polyester 70%/ PVC 30%	98"	3%
Basden Screen Style 4802	Polyester 75%/ PVC 25%	98"	1%
Basden Screen Style 4805	Polyester 75%/ PVC 25%	98"	1%
Basden Screen Style 4816	Polyester 75%/ PVC 25%	98"	1%
*Basden Screen Style 5402	Polyester 75%/ PVC 25%	98"	3%
*Basden Screen Style 5405	Polyester 75%/ PVC 25%	98"	3%
*Basden Screen Style 5411	Polyester 75%/ PVC 25%	98"	3%

* **DUAL TONE. (OFF WHITE BACKING FABRIC).**

Panel Track Pricing

		Width ("Up To" In Inches)											
		24	36	48	60	72	84	96	108	120	132	144	156
Height ("Up To" In Inches)	36	264	337	410	481	618	717	756	964	1693	1841	2002	2733
	48	292	372	455	537	685	796	839	1330	1699	1856	2010	2744
	60	316	410	502	593	749	880	1028	1337	1706	1867	2021	2753
	72	346	447	547	648	818	959	1112	1343	1712	1875	2032	2765
	84	369	485	595	704	882	1043	1191	1403	2169	2381	2574	3394
	96	453	580	708	833	959	1135	1287	2002	2193	2411	2609	3432
	108	481	616	756	893	1026	1219	1373	2008	2197	2424	2622	3448
	120	537	670	803	951	1097	1300	1453	2015	2208	2435	2637	3463
	132	625	779	929	1094	1257	1485	1536	2386	2613	2888	3128	4020
	144	655	816	974	1150	1322	1568	1620	2392	2630	2903	3141	4035
	156	753	951	1150	1360	1575	1871	1946	2424	2665	3263	3538	4095

Valance Options

		Width ("Up To" In Inches)											
Additional Options:		24	36	48	60	72	84	96	108	120	132	144	156
6"Valance with 5 1/2" Board		172	206	241	275	309	344	378	412	447	481	515	550

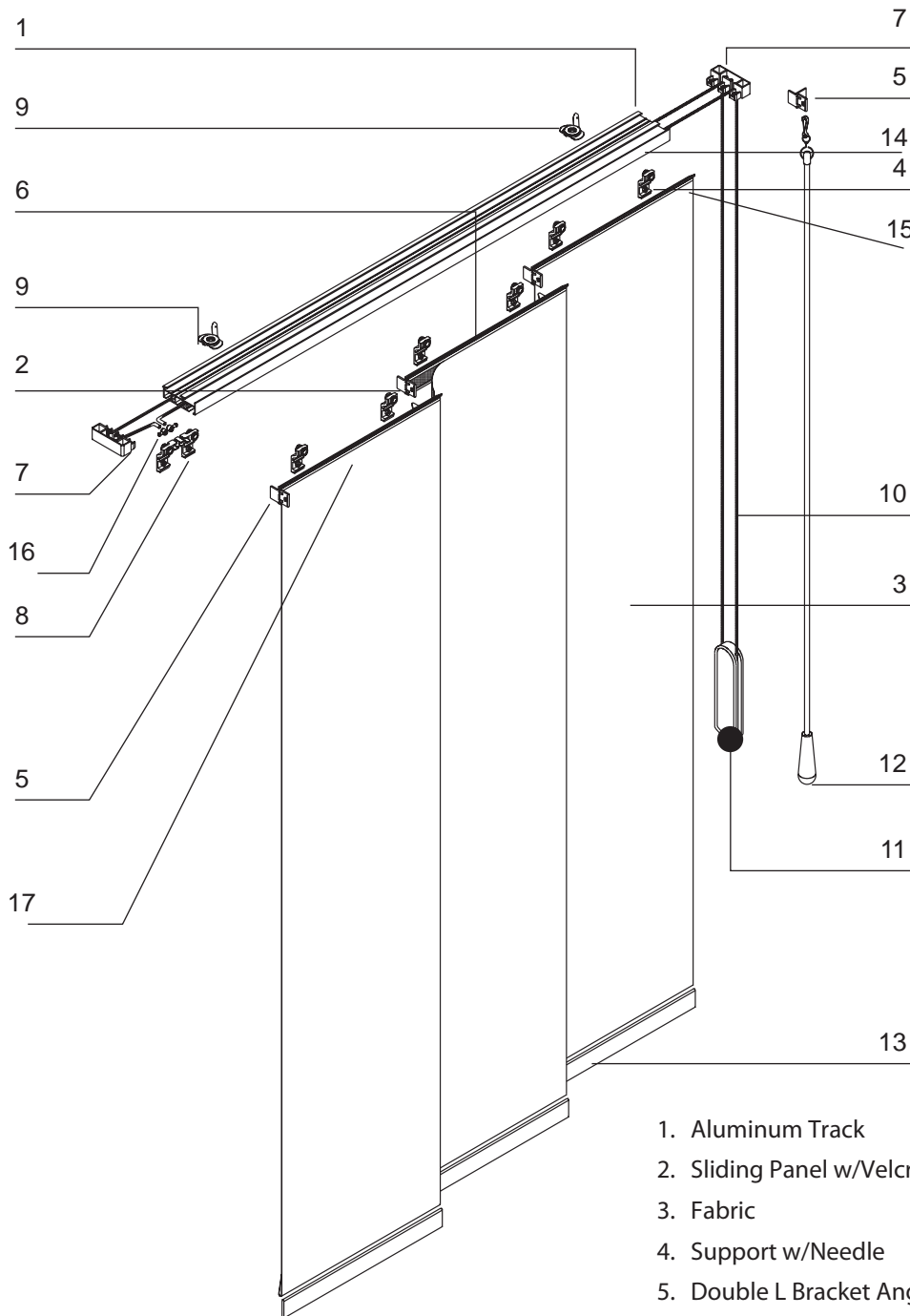
Roller Shade Retail Surcharge Options:	
Hem Pocket	22 Per Panel

External Round Hembar no charge

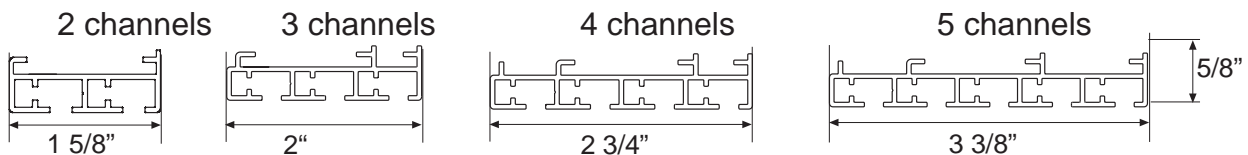
SOLAR PANEL TRACK

Sliding Panel with "No-Jump"

Use Roller Shade Prices (Page 02-03)



- 1. Aluminum Track
- 2. Sliding Panel w/Velcro
- 3. Fabric
- 4. Support w/Needle
- 5. Double L Bracket Angle
- 6. L-Bracket Angle
- 7. Channel Guide
- 8. Double Support (front or back)
- 9. Installation Clip
- 10. Cord
- 11. Tension Pulley
- 12. Control Wand
- 13. Flat Weight
- 14. Panel Stop Screw
- 15. End Cap
- 16. Brass Cord Locking Nut
- 17. Velcro Velour
- 18. Splice (not pictured)



Note: Superior reserves the right to modify the design of parts without notice.